

## Air Quality Sensing (PM2.5)

(XAO Series)

---

### Descriptions

New generation of particle concentration sensor with compact size, high accuracy and fast response data control in offices, buildings, automotive and other industrial applications.

### Features

Compact Size

Minimum distinguishable particle diameter: 0.3 micrometer

Easy installation, high-speed data capture, and more

### Common Applications (Reference)

Automotive interior air quality sensing

Building air quality sensing

Air cleaner sensing

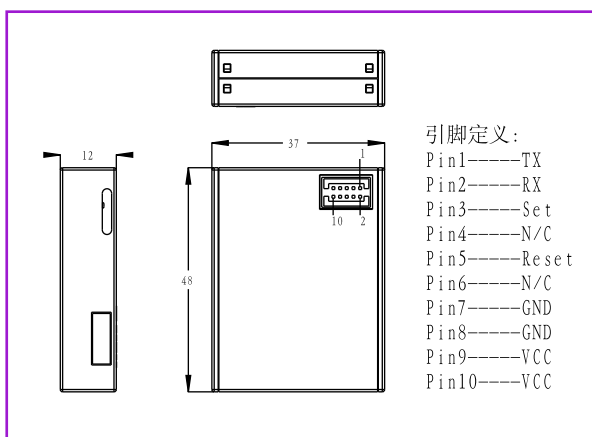


reference photo

## Ratings and Specifications

Item	Model: XAO-001
Physical Size	48 x 37 x 12 (mm)
Power Supply Voltage	4.5 - 5.5 VDC, Typ. - 5.0VDC
Operating Current	≤ 100 mA
Standby Current	≤ 200 μA
Detectable Particle Size	≥ 0.3 μm
Maximum Range (PM2.5 Range)	≤500μg/m <sup>3</sup>
Resolution	1μg/m <sup>3</sup>
Output	UART/TTL@3.3V
Operating Temperature	-10 ~ +60°C
Ambient Humidity	0% - 99%

## Dimensions



## Output Circuit and Connection

